

VORTIS 2 VR2-11210

The VR2-11210 is a professional-grade, full-range speaker system housed in a bass reflex enclosure with a passive crossover, 12" bass/midrange woofer and a 1" high-frequency driver coupled to a CD horn.

It is designed for use in integrated public address systems tasked to render music and speech in high audio quality and provide (voice) alarms in compliance with current international standards.

This speaker is EN 54-24-certified (type B, outdoor use).

VORTIS 2 series speakers ship with one of three different high-frequency horns with the following coverage patterns: 60° x 40°, 90° x 55° and 60°-90° x 55° (asymmetrical horn), indicated in horizontal by vertical degrees. All horns may be rotated 90°. The VR2-11210's hallmarks include remarkably neutral response, high maximum SPL, uniform dispersion, and constant directivity from 1000 Hz upwards.

Its trapezoidal housing is made of birch plywood covered in a heavy-duty, two-component structured lacquer.

The bass/midrange woofer's moisture-proofing on both sides and the cabinet interior's two-component coating ensure long life even in rugged outdoor conditions.

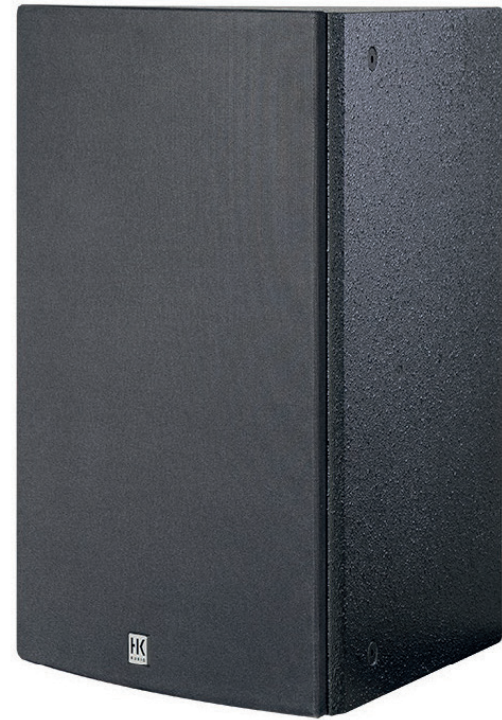
For use in unprotected outdoor areas, a PU (polyurethane) coating is required.

A front grille protects the speaker front in compliance with the German DIN 18032-3 standard for ball impacts.

The acoustically-engineered fabric that serves as the grille cloth is available in a dirt/water repellent or non-flammable variant. The enclosure and grille cloth come in more than 40 colors.

Three each M10 threaded inserts on the top, bottom and rear panels and two M10 threaded inserts on the side panels serve to connect mounting hardware and fall protection devices such as arrest wires.

For the best audio results, presets are provided for Lab.gruppen IPD/X and Lake, Powersoft Armonia, QSC Q-SYS and, for implementation on 3rd party platforms, filter sheets in a tabular format.



Technical Data

Applications:

Voice Alarm Systems:
EN 54-24:2008 certification (type B)

Sports facilities:
Compliant ball impact resistance according to DIN 18032-3

Outdoor or indoor use:
Dirt/water repellent or non-flammable speaker cloth variant available

Mounting accessories:

U-bracket:
For use with a rotatable, tilting wall mount

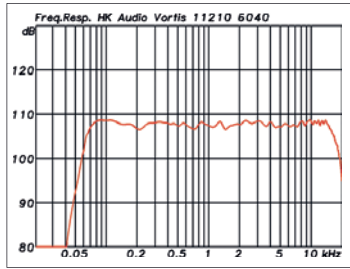
Cluster plates:
For configuring two- and three-cabinet arrays

TB-R:
Tilt bracket with variable angles

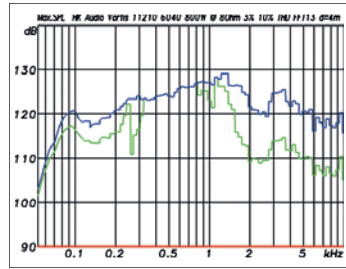
AP10-B:
Anchor point, e.g. for shackles to connect suspension cables/arrest wires

Technical Specifications:

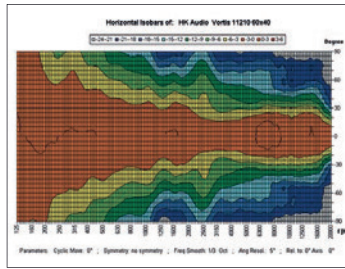
- Two-way system with a built-in passive crossover, crossover frequency 1800 Hz
- Frequency response: 61 Hz - 20 kHz (-10 dB)
- Sensitivity: 98 dB @ 1 W/1 m, full space
- Sensitivity: 85 dB @ 1 W/4 m, full space
- Max. SPL: 128 dB @ 1m, full space (10% THD/EN 60268-21)
- Max. SPL: 109 dB @ 4 m, full space (rated power/EN 54-24 signal)
- Power handling, nominal: 350 W
- Power handling, program: 700 W
- Impedance: 8 ohms
- Coverage pattern: Varies according to the type of horn
- Connectors: 2x screw terminals with optional touch protection plate



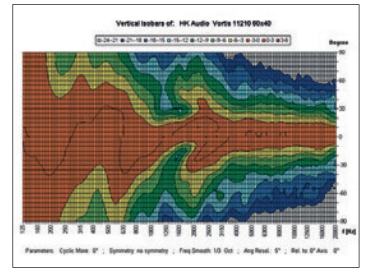
Frequency response



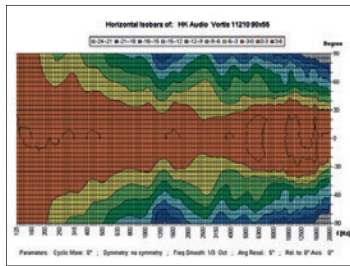
Max. SPL @ 3% and 10% THD (EN 60268-21)



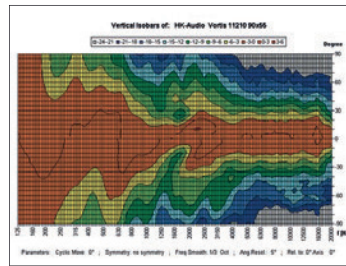
Horn variation 60°x40° horizontal



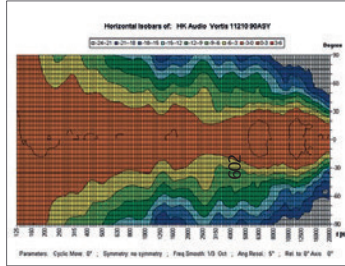
Horn variation 60°x40° vertical



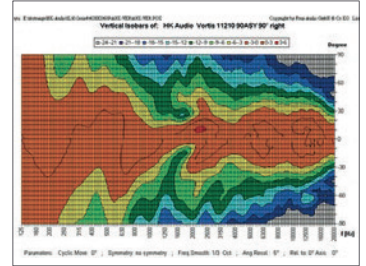
Horn variation 90° x 55° horizontal



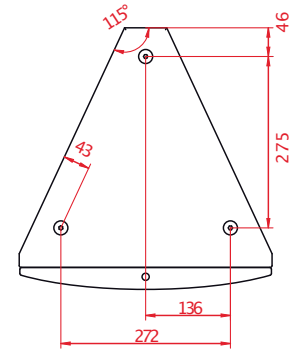
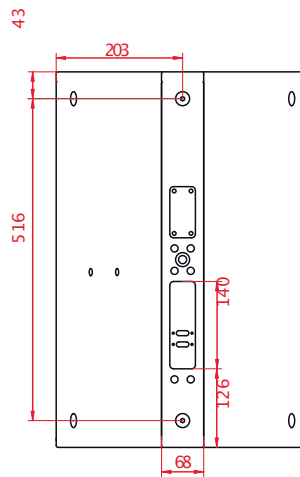
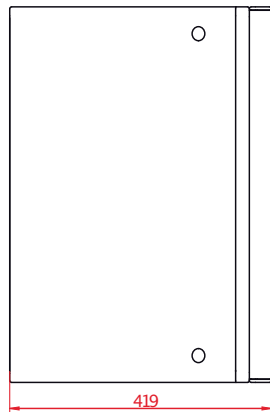
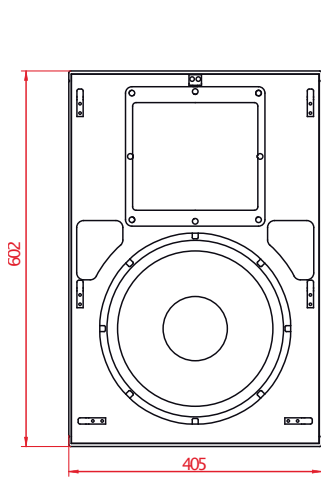
Horn variation 90° x 55° vertical



Horn variation 60°-90° x 55° horizontal



Horn variation 60°-90° x 55° vertical



| | |
|---|--|
| Power handling capacity (nominal) | 350 watts |
| Power handling capacity (program) | 700 watts |
| Power handling capacity (peak) | 1400 watts |
| Frequency range (-10 dB) | 61 Hz - 20 kHz |
| Crossover | 2-way passive |
| Crossover frequency | 1800 Hz, 2nd order |
| Sensitivity 1W @ 1 m, fullspace (100 Hz - 20 kHz) | 98 dB |
| Sensitivity 1W @ 4 m, fullspace (100 Hz - 20 kHz) | 85 dB |
| Max. SPL @ 1 m, fullspace (10% THD/ EN 60268-21) | 128 dB |
| Max. SPL (rated power/4 m/EN 54-24 signal) | 109 dB |
| Nominal impedance | 8 ohms |
| Low/mid transducer | 1 x 12" with 3" voice coil and neodymium magnet |
| High frequency driver | 1 x 1" with 1.4" voice coil with neodymium magnet and ferrofluid |

| | |
|------------------------------------|---|
| Horn variations (rotatable) | 60° x 40°, 90° x 55° and 60° - 90° x 55° (asymmetrical) |
| Dispersion characteristic | Depends on horn variation |
| Connections | 2x screw terminals with optional touch protection plate |
| Cabinet | Birch plywood |
| Filters | Lab.gruppen IPD/X and Lake, Powersoft Armonia, QSC Q-SYS or filter sheets |
| Finish | 2-component structured lacquer in over 40 colors, cabinet is painted from the in- and outside |
| Metal grille with acoustic textile | In over 40 colors, dirt repellent and flame-retarding |
| Rigging points | 13 x M10 |
| Weight | 20.6 kg / 45 lb 6.6 oz |
| Dimensions (H x D x W) in cm | 60.2 x 40.5 x 41.9 |
| Dimensions (H x D x W) in inches | 23.7 x 15.95 x 16.5 |
| Accessories | U-bracket, tilt unit, wall plate, cluster plates and AP-10 B mounting point |