

S210 V

Order numbers: 1007763 (black) 1007954 (white/RAL)

The S210 V is a high-performance subwoofer for installations. It is equipped with 2x10" transducers in a bass reflex cabinet. The large bass reflex channel with exponential contour ensures low frequency reproduction with high quality and low flow noise.

In particular, it is suitable for combination with the SI SERIES P10 modular column speakers. Due to its neutral tuning and filtering, the S210 V can be combined with many other HK Audio products.

An optional U-bracket allows the implementation of all practical mounting options, including flown installation with up to two S210s.

The electrical power handling of the S210 V is 600 W (RMS) or 1200 W (program).

The electrical connection is made via two connectors, which is protected by a cover plate with PG glands.

Characteristics:

- high max. SPL of up to 121 dB thanks to specially developed 10" woofers and contoured bass reflex channel
- suitable for all indoor areas as well as in protected, roofed outdoor areas (protection class IP 44)
- switchable electrical impedance (4 ohms or 16 ohms)
- over 40 colors for visual matching ex works for use in demanding environments
- optional U-bracket allows installation on walls, ceilings and flown applications with up to two S210s
- DSP presets based on Lab.gruppen IPD/IPX, Lake, Powersoft Armonia+ , QSC Q-SYS or with filters in tabular form

The electrical impedance can be selected between 4 ohms and 16 ohms by means of a switch.

The S210 V achieves protection class IP 44 (EN 60529) and is therefore suitable for installation in protected, roofed outdoor areas.

For use in unprotected outdoor areas, a PU (polyurethane) coating is required.

A certification according to DIN 18032-3 which proves the ball impact resistance is available, too (e.g. for installations in sports facilities).

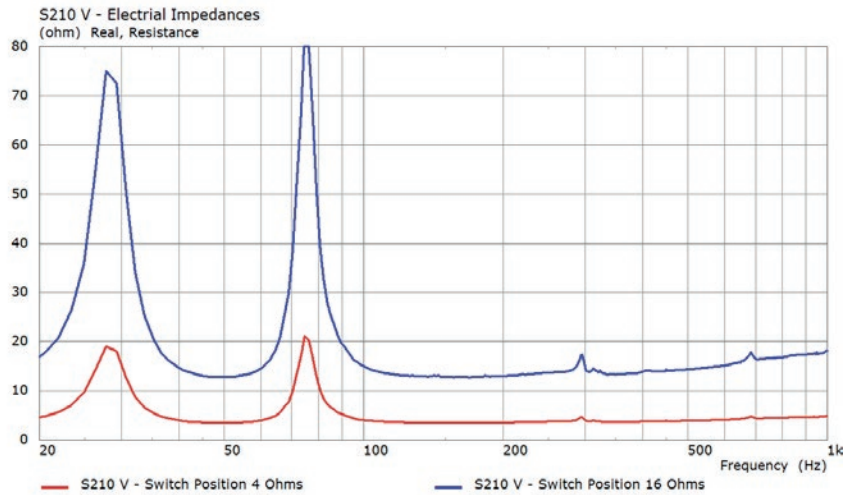


Technical data

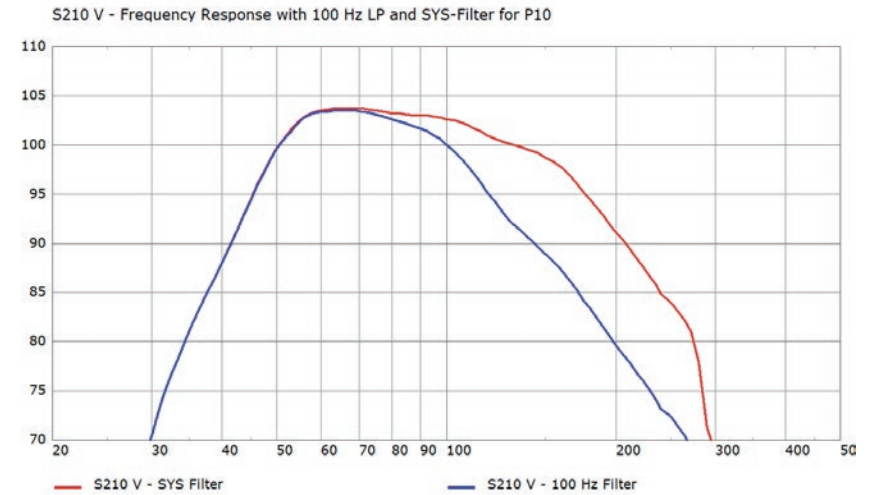
	S210 V
Power-handling, nominal (RMS)	600 W
Power-handling, program	1200 W
Power-handling, peak	2400 W
Sensitivity 1 W/1 m (full space)	95 dB
Frequency response +/- 3 dB (processed)	48 Hz - 140 Hz
Frequency response -10 dB (processed)	44 Hz - 140 Hz
Max. SPL @ 10 % THD (EN 60268-21, full space)	121 dB
Directivity (horizontal x vertical)	omnidirectional
Electrical impedance	4 ohms/16 ohms switchable
Low/mid transducer	2x 10" with ferrite magnet and 2,5" voice coil
High frequency driver	not applicable
Crossover/cut-off frequency	not applicable
DSP filters	Filters for Lab.gruppen IPD/IPX and Lake, Powersoft Armonia+, QSC Q-SYS and filters in tabular form
Connections	2 x 4-pole connectors, two-pole assignment, with cover plate and 2x PG cable gland
Mounting points	8x M8
Cabinet material	Birch plywood
Front grille	Ball impact resistant steel grille, powder coated, with acoustic fabric (dirt and water repellent)
Finish	Two-component coating, black and white as standard, over 40 colors possible
Carrying handles	none
Protection class (IP code EN 60529)	IP 44
Optional accessories	U-bracket, extension plates
Dimensions (W x H x D)	700 x 297 x 550 mm
Weight	27.5 kg



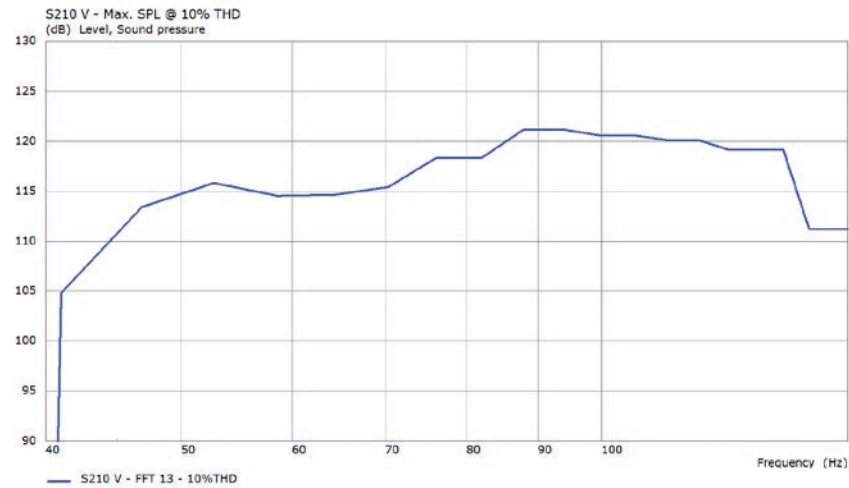
Electroacoustic Measurements



Electrical Impedance with switch positions (blue = 16 ohms, red = 4 ohms)

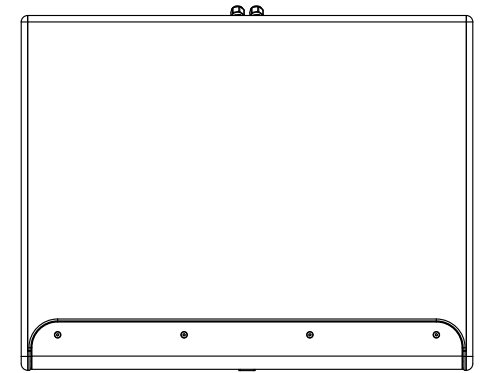
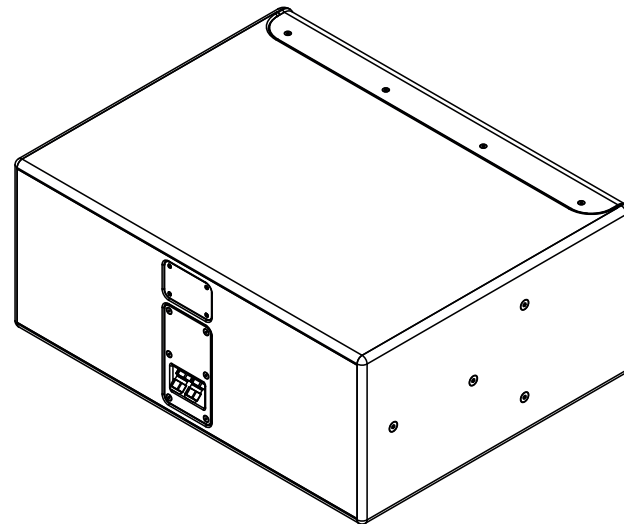
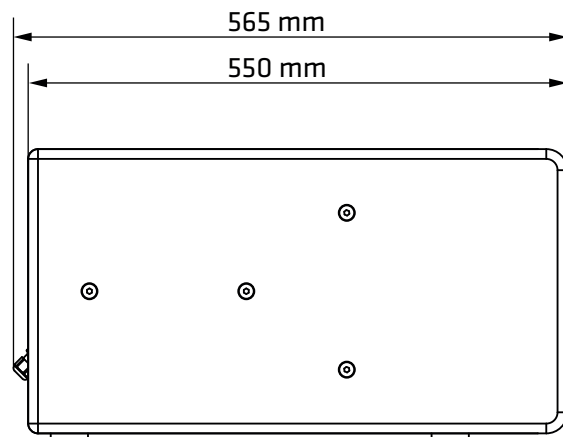
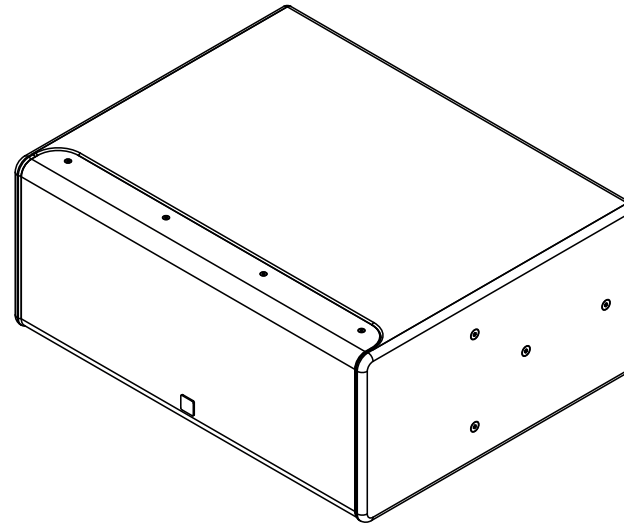
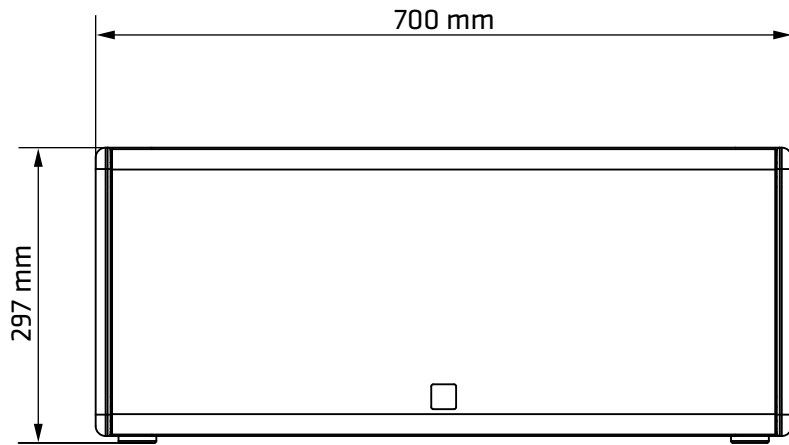


Frequency Response (blue = 100 Hz filter, red = SYS filter)



Max. SPL (10 % THD)

Technical drawings



HK Audio
Postfach 1509
66595 St. Wendel, Germany

info@hkaudio.com
fax +49-68 51-905 215
www.hkaudio.com